

# Series NSCR700/SCR700

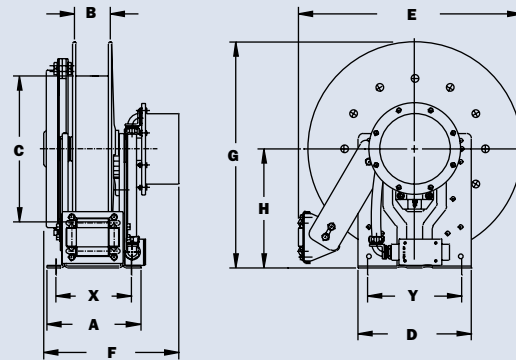
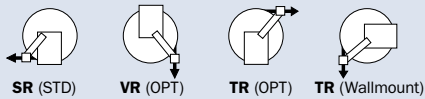
**PARTS DRAWING – SERIES NSCR700 – ISO 164; SERIES SCR700 – ISO 49**

Model Number	Cable Capacity of Reel feet m					Approx. Weight lb. kg		Roller Assy.	Reel Dimensions*** in. mm									
	Ga./No. of Conductors					NET	SHIP		A	B	C	D	E	F	G	H	X	Y
	O.D.in. mm	.53 14	.60 15	.69 18	.75 19													
NSCR715-14-16-8C	35	25	-	-	59	74	N203	9	3	8	12	17.62	13.75	16.12	9.12	7	10	
	11	8	-	-	27	34		229	76	203	305	448	349	409	232	178	254	
NSCR715-16-17C	40	35	-	-	62	77	N203	9	3	10.5	12	18.5	13.75	17	9.12	7	10	
	12	11	-	-	28	35		229	76	267	305	470	349	432	232	178	254	
NSCR715-19-20J **	50	50	50	50	74	109	N204	9	3	10.5	12	20.75	13.75	20	10.62	7	10	
	15	15	15	15	34	49		229	76	267	305	527	349	508	270	178	254	
NSCR716-23-24B	75	75	75	75	99	134	N204	10	4	15.5	12	23.75	14.75	24	12.62	8	10	
	23	23	23	23	45	61		254	102	394	305	603	375	610	321	203	254	
NSCR716-23-24G **	100	100	-	-	105	140	N204	10	4	15.5	12	23.75	14.75	24	12.62	8	10	
	30	30	-	-	48	64		254	102	394	305	603	375	610	321	203	254	
SCR715-19-20J	50	50	50	50	74	109	R204	8.25	3	10.5	18	19.5	15.25	19.75	10.38	3.5	15	
	15	15	15	15	34	49		210	76	267	457	495	387	502	264	89	381	
SCR716-23-24B	75	75	75	75	99	134	R204	9.25	4	15.5	23.25	24.38	16.25	23.88	12.5	4.5	20.25	
	23	23	23	23	45	61		235	102	394	591	619	413	607	318	114	514	
SCR716-23-24G	100	100	-	-	105	140	R204	9.25	4	15.5	23.25	24.38	16.25	23.88	12.5	4.5	20.25	
	30	30	-	-	48	64		235	102	394	591	619	413	607	318	114	514	
SCR716-30-31-20A	120	120	120	120	127	162	R204	9.25	4	20	28.5	29.62	17	31.38	17	4.5	25.25	
	37	37	37	37	58	73		235	102	508	724	752	432	797	432	114	641	

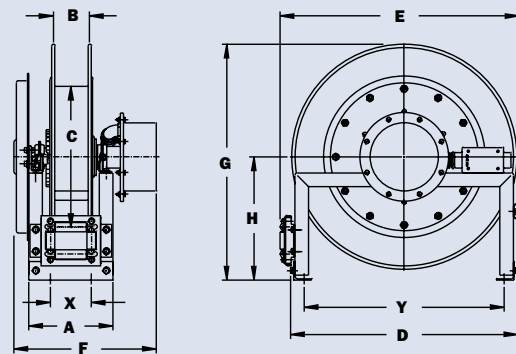
**Notes:**

- Specifications subject to change.
  - For reels with 4-conductor, 45-amp collector assemblies, add 2" to "F" dimension.
  - Reel models and capacities shown are for standard drag applications; for vertical lift applications, consult factory.
  - Other sizes from standard components available upon request.
  - Be sure to check dimensions and weights prior to ordering.**
  - Roller assembly is supplied on standard models.
- \*\*\*X, Y indicate mounting holes. See page 2.

**Available Roller Positions**



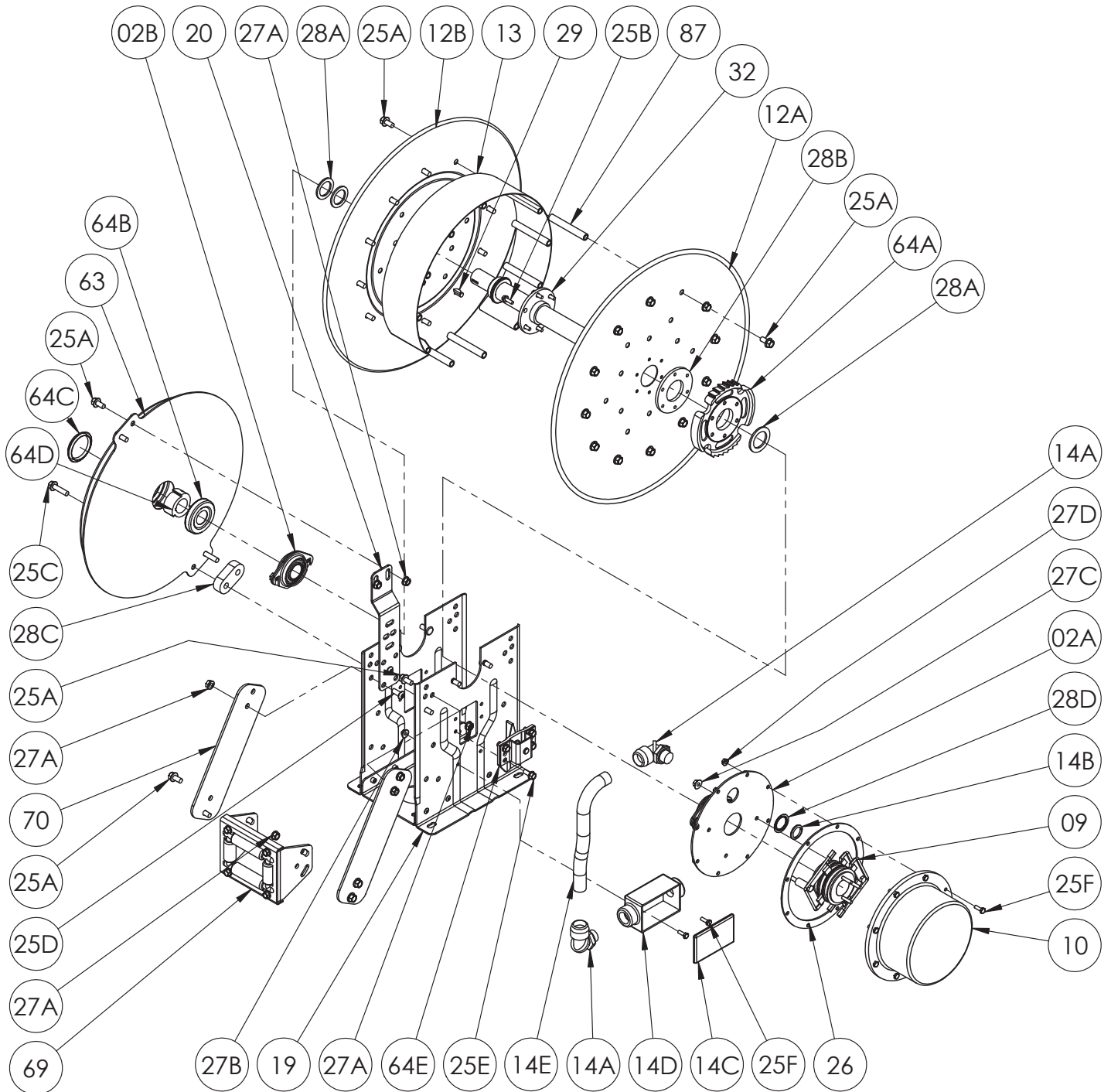
Series NSCR700



Series SCR700

**\*\* Reels available as standard packages with 12/3 wire installed**

Other packages may be available. Please contact our parts department for more info.



**When Ordering Parts**  
**BE SURE TO SPECIFY COMPLETE MODEL NUMBER and SERIAL NUMBER OF REEL**  
**USE PART NUMBER!**

<u>Item #</u>	<u>Description</u>	<u>Part No.</u>	<u>Qty</u>
02A	1-1/2" S.A. Bearing for N-Series w/ Collector Backing Plate Ass'y Complete (See ISO-259 for Parts)....	9943.0032	1
02B	1-1/2" Self Aligning Bearing for N Series Complete (See ISO-210 for Parts).....	9902.4002	1
09	Collector Assembly Complete.....	Specify Collector	1
10	Collector Cover.....	Specify Collector	1
12A	Front Disc.....	Spec Model/Serial #	1
12B	Back Disc (Includes Disc Washer for 23-24 and larger Discs).....	Spec Model	1
13	15-1/2" Diameter Wrap Around Drum (304 Stainless Steel).....	9905.0178	1
13	10-1/2" Diameter Wrap Around Drum (304 Stainless Steel) (Not Shown).....	9905.0138	1
14A	3/4" Swivel-Ioc Liquidtight Connector.....	9955.0009	2
14B	3/4" Locking Nut for Liquidtight Connector.....	9955.0014	1
14C	Red Dot Junction Box Cover w/ Screws.....	9955.0044	1
14D	Red Dot Junction Box.....	Spec. Model	1
14E	3/4" Liquidtight Flex Conduit ~(Per Foot) Specify Model.....	9955.0114	1
19	N Series Spring Reel Frame Assembly.....	Spec Model	1
20	Universal Spring Mounting Bracket for N Series.....	9922.0050	1
25A	3/8"-16 x 3/4" Spinlock Bolt (Specify Model).....	9904.2201	20 or 32
25B	1/4"-20 x 1" Spinlock Bolt.....	9904.2002	6
25C	3/8"-16 x 1-1/2" Spinlock Bolt.....	9904.2204	2
25D	3/8"-16 x 7/8" Socket Head Cap Screw.....	9904.9201	2
25E	5/16"-18 x 3/4" Thread Cutting Hex Head Bolt.....	9958.0055	4
25F	1/4"-20 x 3/4" Hex Head Cap Screw.....	9904.1001	10
26	Collector Cover Gasket.....	9943.0004	1
27A	3/8"-16 Spinlock Nut (Specify Model).....	9904.6200	10 or 12
27B	1/4"-20 Large Flange Spinlock Nut.....	9904.6002	2
27C	5/16"-18 Large Flange Spinlock Nut.....	9904.6100	2
27D	1/4"-20 Small Flange Spinlock Nut.....	9904.6000	8
28A	1-1/2" I.D. Cable Reel Hub Spacer.....	9954.0025	2
28B	Disc Washer (For under Ratchet Wheel).....	9965.0015	1
28C	Oval Spring Spacer for "A", "B" and "G" Springs.....	9922.0032	1
28C	Spring Spacer for "C" and "J" Springs.....	9922.0033	1
28D	Reducing Washer for Liquidtight Connector.....	9955.0013	1
29	Woodruff Key #9 (3/16" x 3/4").....	9916.0080	1
32	Hub for NSCR700, per P32A-00080 (Specify Model/Serial Number).....	9955.0066	1
63	"B" Spring (w/ Arbor).....	9921.0015	1
63	"A" Spring (w/ Arbor) (Not Shown).....	9921.0010	1
63	"G" Spring (w/ Arbor).....	9921.0021	1
63	"J" Spring (w/ Arbor) (Not Shown).....	9921.0030	1
63	"C" Spring (w/ Arbor) (Not Shown).....	9921.0018	1
64A	Ratchet Wheel (Includes 25A).....	9922.0015	1
64B	Cap-Plug for Inner Spring Side.....	9922.0036	1
64C	Cap-Plug for Outer Spring Side.....	9922.0037	1
64D	Spring Arbor for "B", "G", "J" or "C" Springs.....	9922.0082	1
64D	Spring Arbor for "SA", "A", "D" Springs (Not Shown).....	9922.0081	1
64E	Ratchet Locking Assembly for N Series (See ISO-207 for Parts).....	9922.0312	1
69	N204 Complete Roller Assembly for models NSCR716 (See ISO-208 for Parts).....	9939.0111	1
69	N203 Complete Roller Assembly for models NSCR715 (Not Shown) (See ISO-208 for Parts).....	9939.0110	1
70	N Series Single Roller Arm (Specify Model).....	9941.0030	2
87	4" Long Anodized Threaded Spacer Pipe (Specify Model).....	9904.0308	6 or 12
87	3" Long Anodized Threaded Spacer Pipe (Specify Model) (Not Shown).....	9904.0306	6 or 12